



Assembly-, Operation- and Maintenance Instructions, EC-declaration

Centrifugal Fans Type LFA (150427: changed symbol from GSFG to LFA)

The manual should always be available for the operating personnel. The instructions should be carefully read before installation and operation of the fan. If strict notice is taken of these instructions, the fans run with trouble-free operating for years.

With reservations for the right to make alterations. If doubtful, get in touch with the manufacturer.

Table of contents

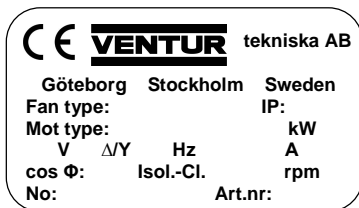
A	Technical data
B	Warranty
C	Safety
D	Installation
E	Start of operation
F	Maintenance
G	Spare parts list
H	Manufacturer declaration

A Technical Data

Following data is for the fan in its basic form, however, delivered fan can differ from the basic form. See the mark sign or the text "Special execution". Fans type LFA have casing of cast aluminium, impeller of zinc plate sheet steel with forward curved blades type "F" and should only be used for conveying clean media.

The temperature of the conveyed medium may not exceed 80°C. It is not permitted to use the fan in surroundings where the temperature exceeds 40°C or goes below -25°C. Conveying of explosive gases is not permitted. It is not permitted to rebuild or in any other way modify the fan. Special features that can be used in other surroundings than above can be offered on request and clarification with the manufacturer.

Rating plate



When connecting, maintenance or ordering of spare parts, pay attention to data on the mark sign in first instance.

Special execution

Temperature barrier, EEx motors, housing and impeller in other materials, can be delivered on request and after clarification with the manufacturer.

B Warranty

Warranty is valid in accordance with General Conditions Orgalime S2012 and only if these instructions are strictly adhered to.

C Safety

Following safety instructions must be carefully followed with regard to preventing injury or damage to surrounding equipment and to the fan itself.

1 Suction

Warning!

Centrifugal fans have high suction power. Objects, clothing and hair can easily be sucked into the fan and cause injury. Make sure that there are no persons nearby the inlet side when the fan operates. Protection guard may be removed only if it is replaced with a house or pipe of at least 1m. The fan must never operate without a wire guard because the rotation impeller can cause serious injury.

2 Discharge side

Warning!

There is a powerful stream of air from the discharge side. Foreign bodies that might have been sucked into the fan can be thrown out at high speed and cause injury. Never put the hand directly at the discharge opening.

3 Temperature

Warning!

When the fan operates the fan housing takes the temperature of the conveyed media added to the compression heat. If the fan housing temperature exceeds 50°C the fan must be protected from direct contact to prevent burn injury.

4 Electrical connection

Warning!

Electrical connection must be made by skilled labour only. The drive motor should be protected with an overload switch.

5 Permitted applications

Warning!

Fans are not to be used for conveying aggressive, toxic or air with high humidity or gas or explosive air-gas mix.

6 Sound level

The sound pressure level is not the same over the whole range on the fans. In some cases it is necessary to use a silencer. We recommend the user to check the sound pressure level.

D Installation

1 Transportation

Check all parts for damage during transportation and that the impeller runs free inside the housing. The blowers are to be installed in weather-protected places and are not to be stored unprotected outdoors. Mount hoisting hook carefully, and do only use lifting arrangements with sufficient strength.

2 Arrangements and assembling

Mount the fan horizontally or vertically in a weather-protected place. Make sure that the fan is protected from vibration and shock. Supply open inlet and discharge openings with guards according to valid regulations. Make sure that the drive motor is supplied with sufficient ventilation. The permitted maximum temperature of surroundings is 40°C.

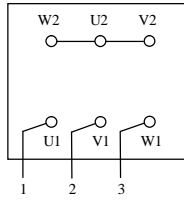
3 Electrical connection

Attention!

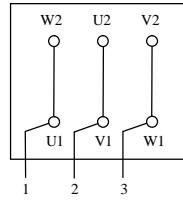
The operations described in this part are to be made by skilled labour only. Connect the fan in accordance with the wiring diagram in the terminal box. The respective VDE regulations and the directions of the local power supply company are to be complied with.

The fan is equipped with a drive motor for single- and three-phase AC. The motor should be protected with an overload switch. Connection to earth is to be found in the terminal box.

Connection of three-phase AC unit

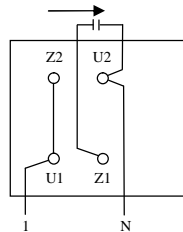
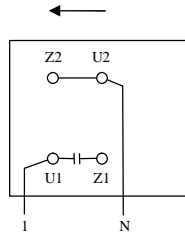


(high voltage Y-connection)



(low voltage Δ-connection)

Connection of single-phase AC unit



The arrows indicate the direction of rotation seen from the shaft side of the motor.

4 Inspection of rotation direction

Start up the fan for a short moment, inspect the rotation direction. The rotation direction of the impeller must be in accordance with the arrows on the motor. If not, move the L1 and L3 phases for three-phase operation or check the wiring circuit in the terminal box for single-phase operation. Incorrect rotation direction will cause reduced capacity of the fan and could damage the impeller.

E Start of operation

If the rated current indicated on the rating plate is being exceeded during operation, it should be checked whether the available supply voltage and frequency are in accordance with the embossed data. Some fans cannot be operated with free airflow (see catalogue). The drive motor is sized for the power requirements when the fan operates in the filled part of the capacity curve. At lower resistance the working range moves out to the pointed part of the capacity curve and the air volume and current increase. The motor will be overloaded with possible overheating as a consequence. To avoid overload it is possible to fit a throttle on the inlet- or discharge side. Do not expose the fan to vibrations and shock.

F Maintenance

Fans are equipped with enclosed grooved ball bearings that do not need lubrication. The grease filling is sufficient for the whole service life of the bearings.

Attention!

Repair work on fans should be done by the manufacturer. We do not take any responsibility for repairs done by third parties.

G Spare parts list

When ordering spare parts, please state the size of the fan and part number in accordance with the spare parts list (page 5).

H Manufacturer declaration

**EC Declaration of conformity for machinery
(Machinery Directive 2006/42/EC, Annex 2, A)**

Manufacturer: Ventur tekniska ab

Manufakturgatan 7 A
SE-417 07 GÖTEBORG
Sweden

Name and address of the person authorised to compile the relevant technical file:

Name: Peter Skoow
Address: See above

Herewith declares that: **Centrifugal Fans Type LFA**

- is in conformity with the relevant provisions of the Machinery Directive (2006/42/EC)
- is in conformity with the provisions of the following other EC-Directives:
Low Voltage Directive 2006/95/EC

And furthermore, declares that:

- the following European harmonised standards have been used:
EN ISO 12100-1
EN ISO 12100-2

This EC Declaration of conformity for machinery is only valid when all conditions stated in the "Assembly-, Operation- and Maintenance Instructions, EC-declaration" are fulfilled.

The machinery must not be put into service until the final machinery or construction into which it is to be incorporated has been declared in conformity with the provisions of the Machinery Directive 2006/42/EC.

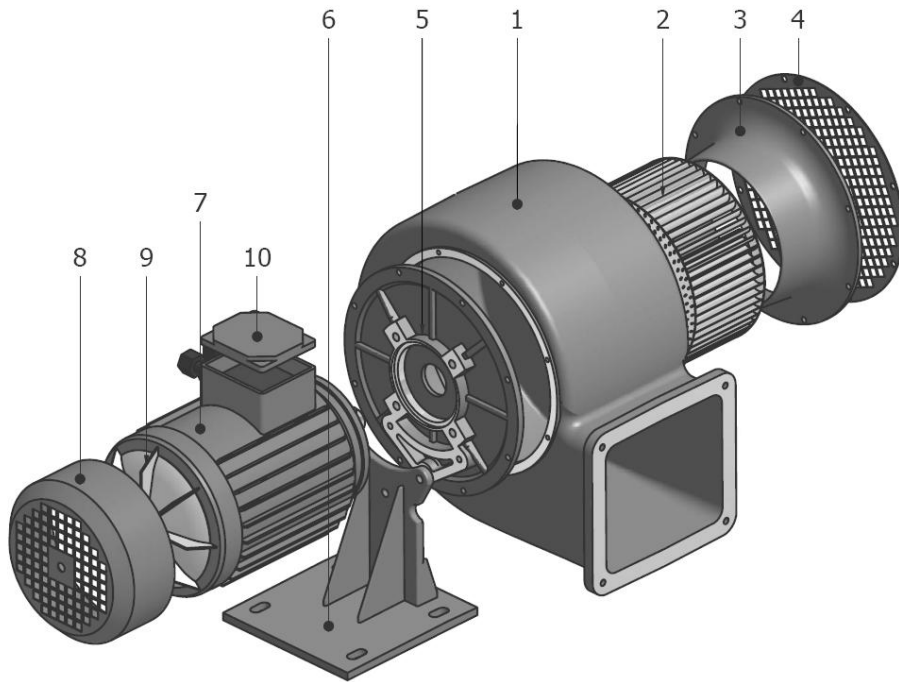
If modification of the unit is made without our approval, this declaration becomes invalid.

Göteborg 2010-05-10


Peter Skoow
MD, Ventur tekniska ab

Adress		Telefon		Telefax	
Ventur tekniska ab		Nat	031-23 50 80	Nat	031-23 87 98
Manufakturgatan 7 A		Int	+46 31 23 50 80	Int	+46 31 23 87 98
SE-417 07 GÖTEBORG, Sweden		E-mail:	info@ventur.se	Web:	www.ventur.se

Spare Parts List



- 1 Blower housing
- 2 Impeller
- 3 Inlet cone
- 4 Protection guard inlet
- 5 Blower flange
- 6 Stand (only models GSFG-2-200/104 to GSFG-2-250/114)
- 7 Complete motor
- 8 Fan guard
- 9 Ventilating fan
- 10 Terminal box lid