



Assembly-, Operation- and Maintenance Instructions, EC-declaration

Side Channel Blowers Type SC

The manual should always be available for the operating personnel. The instructions should be carefully read before installation and operation of the fan. If strict notice is taken of these instructions, the fans run with trouble-free operating for years.

With reservation for the right to make alterations. If doubtful, get in touch with the manufacturer.

Table of contents

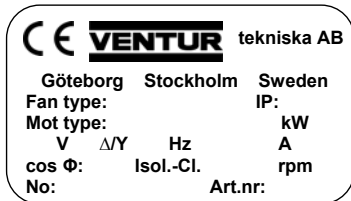
A	Technical data
B	Warranty
C	Safety
D	Installation
E	Start of operation
F	Maintenance
G	Spare parts list
H	Manufacturer declaration

A Technical Data

Following data is for the fan in its basic form, however, delivered fan can differ from the basic form. See the markings or the text "Special execution". Blowers type SC and its impeller is made of cast aluminium.

Blowers type SC can only convey clean gas. Solid particles or other pollutions must be removed by installing a filter on the intake side, otherwise there is a risk that the impeller will stop when the internal gaps are small. The temperature of the conveyed medium may not exceed 40°C. It is not permitted to use the fan in surroundings where the temperature exceeds 40°C or goes below -20°C. Conveying of explosive gases is not permitted. It is not permitted to rebuild or in any other way modify the fan. Special features that can be used in other surroundings than above can be offered on request and clarification with the manufacturer.

Rating plate



When connecting, maintenance or ordering of spare parts, pay attention to data on the mark sign in first instance.

Special execution

Temperature barrier, EEx motors, housing and impeller in other materials, can be delivered on request and after clarification with the manufacturer.

B Warranty

Warranty is valid in accordance with General Conditions Orgalime S2000 and only if these instructions are strictly adhered to.

C Safety

Following safety instructions must be carefully followed with regard to preventing injury or damage to surrounding equipment and to the fan itself.

1 Suction

Warning!

Side Channel Blowers have high suction power. Objects, clothing and hair can easily be sucked into the fan and cause injury. Make sure that there are no persons nearby the inlet side when the fan operates. The fan must never operate without a wire guard because the rotation impeller can cause serious injury. Never put the hand directly at the inlet opening.

2 Discharge side

Warning!

There is a powerful stream of air from the discharge side. Foreign bodies that might have been sucked into the fan can be thrown out at high speed and cause injury. Never put the hand directly at the discharge opening.

3 Temperature

Warning!

When the fan operates the fan housing takes the temperature of the conveyed media added to the compression heat. If the fan housing temperature exceeds 50°C the fan must be protected from direct contact to prevent burn injury.

4 Electrical connection

Warning!

Electrical connection must be made by skilled labour only. The drive motor should be protected with an overload switch.

5 Permitted applications

Warning!

SC-blowers are not to be used for conveying aggressive, toxic or air with high humidity or gas or explosive air-gas mix.

6 Sound level

SC-blowers are equipped with silencer. The sound pressure level is not the same over the fans whole range. In some cases it is necessary to use an extra silencer. We recommend the user to check the sound pressure level. The blowers should never run without silencer when there can be risk for hearing damages.

D Installation

1 Transportation

Check all parts for damage during transportation and that the impeller runs free inside the housing. The blowers are to be installed in weather-protected places and are not to be stored outdoors unprotected. Mount hoisting hook carefully, and do only use lifting arrangements with sufficient strength.

2 Arrangements and assembling

Mount the fan horizontally or vertically in a weather-protected place. SC50 with motor 15kW or higher shall be mounted vertically. Make sure that the fan is protected from vibration and shock. Supply open inlet and discharge openings with guards according to valid regulations. Also make sure that the drive motor is supplied with sufficient ventilation. The maximum permitted surrounding temperature is 40°C.

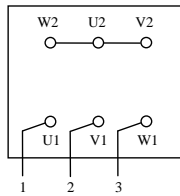
3 Electrical connection

Attention!

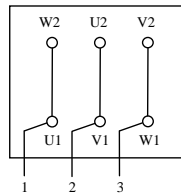
The operations described in this part are to be made by skilled labour only. Connect the fan in accordance with the wiring diagram in the terminal box. The respective VDE regulations and the directions of the local power supply company are to be complied with.

The fan is equipped with a drive motor for single- or three-phase AC. The motor should be protected with an overload switch. Connection to earth is to be found in the terminal box. Size SC50 should be started by Y/Δ-start.

Connection of three-phase AC unit

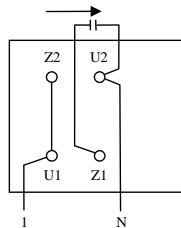
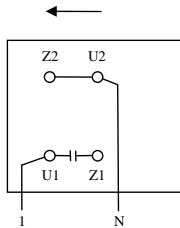


(high voltage Y-connection)



(low voltage Δ-connection)

Connection of single-phase AC unit



The arrows indicate the direction of rotation seen from the shaft side of the motor.

Attention!

If a frequency inverter will be used during operation, please note that the maximum allowed voltage peak from the inverter is 1200V.

4 Inspection of rotation direction

Start up the fan for a short moment, inspect the rotation direction. The rotation direction of the impeller must be in accordance with the arrows on the motor. If not, move the L1 and L3 phases for three-phase operation or check the wiring circuit in the terminal box for single-phase operation. Incorrect rotation direction will cause reduced capacity of the fan and could damage the impeller.

5 TP contact and PTC thermistor

Blowers equipped with TP contact and/or PTC thermistor have heat sensitive sensors that react when the motor overheats. The TP contact is assembled at the front bearing and consists of a bimetal disc that cuts an auxiliary supply voltage at a specified temperature. The PTC thermistor is assembled in the winding of the motor. If the resistance of the PTC thermistor exceeds 750Ω this indicates that the motor is overheating. The TP contact and PTC thermistor may only be connected with an auxiliary supply voltage, not with the blower's power supply voltage. For connection examples see page 6.

E Start of operation

If the rated current indicated on the rating plate is being exceeded during operation, it should be checked whether the available supply voltage and frequency are in accordance with the embossed data. The drive motor is sized for the power requirements up to a maximum allowed pressure (see capacity curves in catalogue). At higher pressures the power consumption will increase with overheating as a consequence. Observe that overheating could occur because of compression heat even when the power of the motor is not exceeded. Installation of thermal protection is recommended to prevent overheating. Overloading can be avoided through installation of a relief valve which will keep the maximum allowed working point. Do not expose the fan to vibrations and shock.

F Maintenance

SC-blowers are equipped with enclosed grooved ball bearings that do not need lubrication. The grease filling is sufficient for the whole service life of the bearings.

Attention!

Repair work on fans should be done by the manufacturer. We do not take any responsibility for repairs done by third parties.

G Spare parts list

When ordering spare parts, please state the size of the fan and part number in accordance with the spare parts list (page 5).

H **Manufacturer declaration**

**EC Declaration of conformity for machinery
(Machinery Directive 2006/42/EC, Annex 2, A)**

Manufacturer: Ventur tekniska ab
Manufakturgtatan 7 A
SE-417 07 GÖTEBORG
Sweden

Name and address of the person authorised to compile the relevant technical file:
Name: Peter Skoow
Address: See above

Herewith declares that: **Side Channel Blowers Type SC**

- is in conformity with the relevant provisions of the Machinery Directive (2006/42/EC)
- is in conformity with the provisions of the following other EC-Directives:
Low Voltage Directive 2006/95/EC

And furthermore, declares that:


- the following European harmonised standards have been used:
EN ISO 12100-1
EN ISO 12100-2

This EC Declaration of conformity for machinery is only valid when all conditions stated in the "Assembly-, Operation- and Maintenance Instructions, EC-declaration" are fulfilled.

The machinery must not be put into service until the final machinery or construction into which it is to be incorporated has been declared in conformity with the provisions of the Machinery Directive 2006/42/EC.

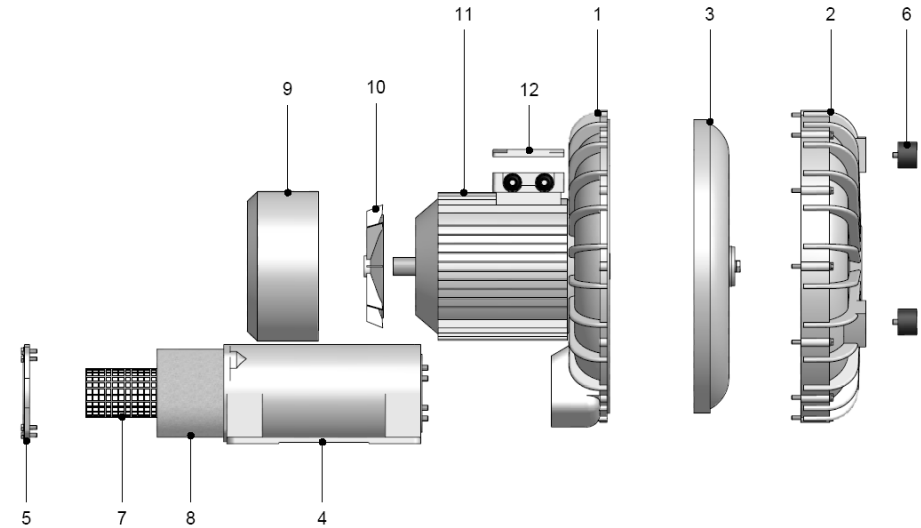
If modification of the unit is made without our approval, this declaration becomes invalid.

Göteborg 2010-05-10


Peter Skoow
MD, Ventur tekniska ab

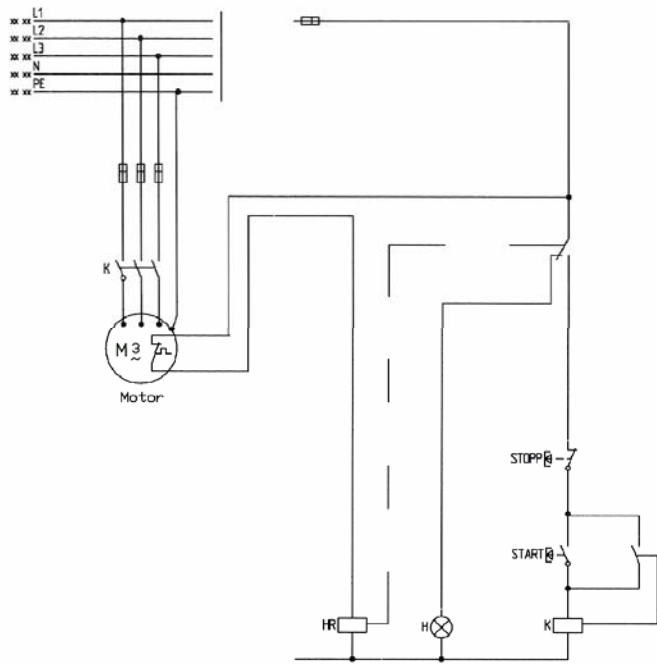
Adress	Telefon	Telefax
Ventur tekniska ab	Nat 031-23 50 80	Nat 031-23 87 98
Manufakturgtatan 7 A	Int +46 31 23 50 80	Int +46 31 23 87 98
SE-417 07 GÖTEBORG, Sweden	E-mail: info@ventur.se	Web: www.ventur.se

Spare Parts List



- 1 Blower housing
- 2 Housing cover lid
- 3 Impeller
- 4 Silencer housing
- 5 Flange
- 6 Rubber foot
- 7 Wire mesh
- 8 Plastic foam
- 9 Fan guard
- 10 Ventilating fan
- 11 Complete motor
- 12 Terminal box lid

TP Connection Example



PTC Connection Example, manual recovery

