

Assembly-, Operation- and Maintenance Instructions, EC-declaration

CHIP EXTRACTOR WNF

The manual should always be available for the operating personnel. The instructions should be carefully read before installation and operation of the fan. If strict notice is taken of these instructions, the fans run with trouble-free operating for years.

With reservation for the right to make alterations. If doubtful, get in touch with the manufacturer.

Table of contents

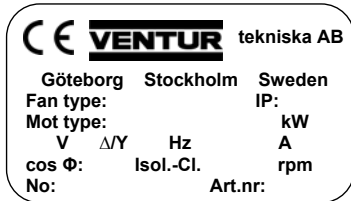
A	Description
B	Warranty
C	Safety
D	Installation and operation
E	Maintenance
F	Technical data
G	Manufacturer declaration

A Description

Following data is for the extractor in its basic form, however, delivered extractor can differ from the basic form. See the markings or the text "Special execution". Extractors type WNF has casing of powder coated sheet steel and impeller of cast aluminium.

WNF has impeller of paddle type suitable for transport of dust- and material mixed gas. The temperature of the conveyed medium may not exceed 80°C. It is not permitted to use the extractor in surroundings where the temperature exceeds 40°C or goes below -20°C. Conveying of explosive gases is not permitted. It is not permitted to rebuild or in any other way modify the extractor. Special features that can be used in other surroundings than above can be offered on request and clarification with the manufacturer.

Rating Plate



When connecting, maintenance or ordering of spare parts, pay attention to data on the mark sign in first instance.

B Warranty

Warranty is valid in accordance with General Conditions Orgalime S2000 and only if these instructions are strictly adhered to.

C Safety

Following safety instructions must be carefully followed with regard to preventing injury or damage to surrounding equipment and to the fan itself.

1 Suction

Warning!

Extractors have high suction power. Objects, clothing and hair can easily be sucked into the fan and cause injury. Never put the hand directly at the inlet opening.

2 Temperature

Warning!

When the extractor operates the fan housing takes the temperature of the conveyed media added to the compression heat. If the fan housing temperature exceeds 50°C the fan must be protected from direct contact to prevent burn injury.

3 Electrical Connection

Warning!

Electrical connection must be made by skilled labour only. The drive motor should be protected with an overload switch.

4 Permitted Applications

Warning!

WNF-extractors are not to be used for conveying aggressive, toxic or air with high humidity or gas or explosive air-gas mix.

5 Sound Level

The sound pressure level is not the same over the extractors whole range. In some cases it is necessary to use a silencer. We recommend the user to check the sound pressure level.

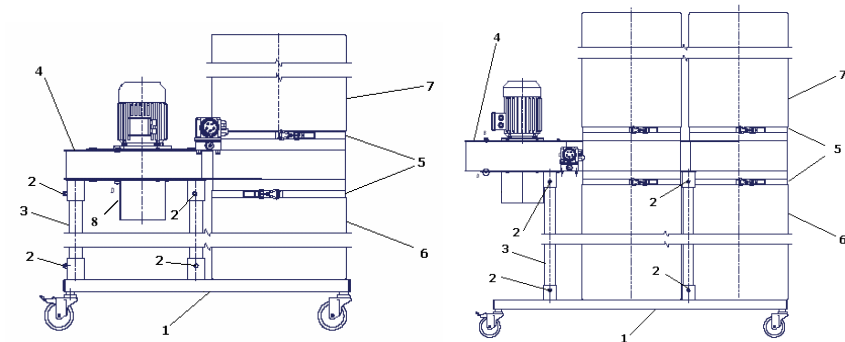
D Installation and Operation

1 Transportation

Check all parts for damage during transportation and that the impeller runs free inside the housing.

2 Arrangements and Assembling

Mount the fan horizontally or vertically in a weather-protected place. Make sure that the fan is protected from vibration and shock. Supply open inlet and discharge openings with guards according to valid regulations. Also make sure that the drive motor is supplied with sufficient ventilation. The permitted maximum temperature of surroundings is 40°C.



WNF 90, 130 and 240

WNF 330

- (1) – base plate equipped with four wheels (2+2 with brake)
- (2) – assembling screws
- (3) – support (1 pcs. for WNF 90 and 130, 3 pcs. for WNF 240, 4 pcs. for WNF 330)
- (4) – fan (housing + impeller + electric motor)
- (5) – clamp belts (2 pcs. for WNF 90, 130 and 240, 4 pcs. for WNF 330)
- (6) – collecting bag (1 pcs. for WNF 90, 130 and 240, 2 pcs. for WNF 330)
- (7) – filter bag (1 pcs. for WNF 90, 130 and 240, 2 pcs. for WNF 330)
- (8) – diffuser Ø100 / Ø125 (only for WNF 90 and 130)

WNF extractors are delivered in pieces. During assembly follow the steps below:

- a) Join base plate (1) with support (3) using assembling screw (2)
- b) Place the mounted fan (4) on support and connect it using assembling screw (2)
- c) On fan housing (4) put on:
 - upper ring – filter bag
 - bottom ring – collecting bag
- d) Fix bags to appropriate rings using clamp belts (5)

4. Switches

- WNF 90 S: 230V, 50 Hz, 16A
- WNF 90 T: 400V, 50 Hz, 16A
- WNF 130 S: 230V, 50 Hz, 16A
- WNF 130 T: 400V, 50 Hz, 16A
- WNF 220 S: 230V, 50 Hz, 16A
- WNF 220 T: 400V, 50 Hz, 16A
- WNF 330 T: 400V, 50 Hz, 16A

5. Installation

Before connecting the extractor, please make sure that the impeller can rotate without resistant and that there are no mechanical damage on fan.

- 5.1 All electrical connections must be in accordance with local codes and ordinances, or national Electrical Code. I
- 5.2 In standard WNF extractors are equipped with switches (see point 4) and plug in socket 16A for 1ph-230V or 3ph-400V. WNF extractors are not equipped with feeder.
- 5.3 The rotation direction of the impeller must be in accordance with the arrows on the motor. Incorrect rotation direction will cause reduced capacity of the fan.

6. Operation

Plug extractor to mains socket. Press green button in order to turn on device, press red button to turn device off. Filter bag has to be cleaned adequate. Neglect of filter bag cleaning can cause reduced capacity.

After self-switching off extractor caused by overload it is necessary to wait a while before starting again. If the extractor switches off again please check the electrical installation.

If rated intensity embossed on rating plate should be exceeded during nominal use of fan check that voltage and frequency of the extractor are the same as those indicated on the rating plate on the fan.

7. Collecting bag discharge

In order to discharge collection bag one should loosen clamp belt (5) and carefully remove bag avoiding scatter of contents. Fix empty bag on ring and tighten clamp belt.

8. Safety requirements

The instructions should be carefully read before installation and operation of the fan. If strict notice is taken of these instructions, one can prevent accidents and injury of operator.

E Maintenance

WNF-extractors are equipped with enclosed grooved ball bearings that do not need lubrication. The grease filling is sufficient for the whole service life of the bearings.

Attention!

Repair work on fans should be done by the manufacturer. We do not take any responsibility for repairs done by third parties.

F Technical Data

	WNF 130T	WNF 130S	WNF 240T	WNF 240S	WNF 330T
Flow [m ³ /h]	1200	1200	2400	2400	3350
Total pressure [Pa]	1800	1800	2200	2200	2400
Sound pressure level dB[A]	73	73	76	76	80
Speed [rpm.]	2780	2780	2820	2820	2860
Motor power [kW]	0,55	0,55	1,1	1,1	2,2
Maximum current [A]	1,32	3,8	2,5	7,9	4,6
Voltage [V]	400	230	400	230	400
Weight [kg]	49	49	58	58	87
Filter area [m ²]	1,3	1,3	2,0	2,0	4,0
Holding capacity [l]	170	170	170	170	2 x 170
Connection [mm]	φ 100/125		φ 160		φ 200

G Manufacturer declaration

**EC Declaration of conformity for machinery
(Machinery Directive 2006/42/EC, Annex 2, A)**

Manufacturer: Ventur tekniska ab
Manufakturgtatan 7 A
SE-417 07 GÖTEBORG
Sweden

Name and address of the person authorised to compile the relevant technical file:

Name: Peter Skoow
Address: See above

Herewith declares that:s **CHIP EXTRACTOR WNF**

- is in conformity with the relevant provisions of the Machinery Directive (2006/42/EC)
- is in conformity with the provisions of the following other EC-Directives:
Low Voltage Directive 2006/95/EC

And furthermore, declares that:

- the following European harmonised standards have been used:
EN ISO 12100-1
EN ISO 12100-2

This EC Declaration of conformity for machinery is only valid when all conditions stated in the "Assembly-, Operation- and Maintenance Instructions, EC-declaration" are fulfilled.

The machinery must not be put into service until the final machinery or construction into which it is to be incorporated has been declared in conformity with the provisions of the Machinery Directive 2006/42/EC.

If modification of the unit is made without our approval, this declaration becomes invalid.

Göteborg 2010-05-10



Peter Skoow
MD, Ventur tekniska ab

Adress	Telefon	Telefax
Ventur tekniska ab	Nat 031-23 50 80	Nat 031-23 87 98
Manufakturgtatan 7 A	Int +46 31 23 50 80	Int +46 31 23 87 98
SE-417 07 GÖTEBORG, Sweden	E-mail: info@ventur.se	Web: www.ventur.se